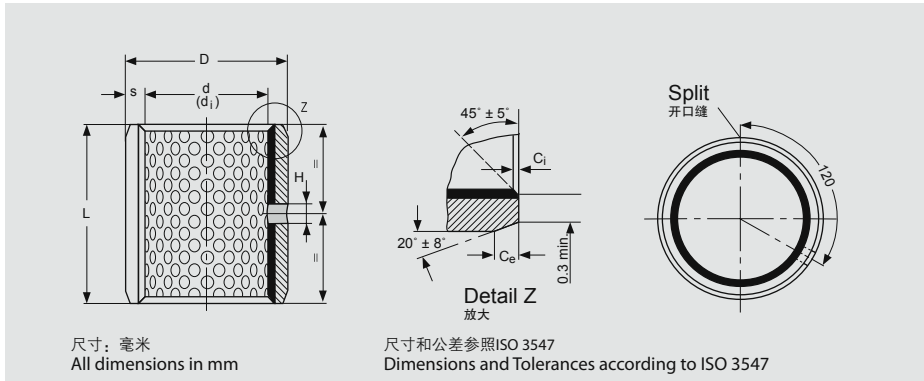




5.13 EMT 直套规格及公差 EMT Sleeve Bushing Specification & Tolerance



内外倒角尺寸表
Inside & Outside Chamfers

壁厚 Wall thickness S	内倒角 Inside Chamfer C _i	外倒角 Outside Chamfer C _e
1.00	0.30 ± 0.20	0.60 ± 0.40
1.50	0.40 ± 0.30	0.60 ± 0.40
2.00	0.40 ± 0.30	1.20 ± 0.40
2.50	0.60 ± 0.30	1.80 ± 0.60

直套型号标注方式
Bushing Symbol

直套型号标注方式 Bushes Symbol	EMT - □	× ×	× ×
直套型号 Bushing Type			
直套内径 Bushing I. D.			
直套高度 Bushing Length			

内径 Internal Diameter			外径 External Diameter			高度 Length	壁厚 Wall Thickness	油孔直径 Oil Hole- Φ H	型号 Part No						
内径 d	装配轴径 Shaft- Φ d _s	装配后内径 Φ d _s	外径 D	装配座孔 Housing- Φ D _H	理论外径公差 O.D. Φ D _t	ID < 80 L ± 0.25 ID > 80 L ± 0.50	S								
15	15.000 14.973	15.148 15.010	17	17.018 17.000	+0.065 +0.030	10	0.995 0.935	4	EMT 1510						
						15			EMT 1515						
						20			EMT 1520						
16	16.000 15.973	16.148 16.010	18	18.018 18.000	+0.065 +0.030	10			0.995 0.935	4	EMT 1610				
						15					EMT 1615				
						20					EMT 1620				
18	18.000 17.973	18.151 18.010	20	20.021 20.000	+0.065 +0.030	15					0.995 0.935	4	EMT 1815		
						20							EMT 1820		
						25							EMT 1825		
20	20.000 19.967	20.181 20.020	23	23.021 23.000	+0.075 +0.035	10							1.490 1.430	6	EMT 2010
						15									EMT 2015
						20									EMT 2020
						25	EMT 2025								
22	22.000 21.967	22.181 22.020	25	25.021 25.000	+0.075 +0.035	30	1.490 1.430	6							EMT 2030
						10									EMT 2210
						15			EMT 2215						
						20			EMT 2220						
						25									EMT 2225



内径 Internal Diameter			外径 External Diameter			高度 Length	壁厚 Wall Thickness	油孔直径 Oil Hole-Φ H	型号 Part No
内径 d	装配轴径 Shaft-Φd _s	装配后内径 Φd _a	外径 D	装配座孔 Housing-ΦD _H	理论外径公差 O.D. ΦD _I	ID<80 L ± 0.25 ID>80 L ± 0.50	S		
25	25.000 24.967	25.181 25.020	28	28.021 28.000	+0.075 +0.035	15	1.490 1.430		EMT 2515
						20			EMT 2520
						25			EMT 2525
						30			EMT 2530
28	28.000 27.967	28.205 28.030	32	32.025 32.000		15			EMT 2815
						20			EMT 2820
						25			EMT 2825
						30			EMT 2830
						40			EMT 2840
30	30.000 29.967	30.205 30.030	34	34.025 34.000		15		6	EMT 3015
						20			EMT 3020
						25			EMT 3025
						30			EMT 3030
						40			EMT 3040
32	32.000 31.961	32.205 32.030	36	36.025 36.000		20	1.980 1.920		EMT 3220
						30			EMT 3230
						40			EMT 3240
						50			EMT 3250
35	35.000 34.961	35.205 35.030	39	39.025 39.000		20			EMT 3520
						25			EMT 3525
						30			EMT 3530
						40			EMT 3540
40	40.000 39.961	40.205 40.030	44	44.025 44.000		20			EMT 4020
						25			EMT 4025
						30			EMT 4030
						40			EMT 4040
						50			EMT 4050
45	45.000 44.961	45.205 45.030	50	50.025 50.000		25		8	EMT 4525
						30			EMT 4530
						40			EMT 4540
						50			EMT 4550
50	50.000 49.961	50.210 50.030	55	55.030 55.000	+0.100 +0.055	30	2.460 2.400		EMT 5050
						40			EMT 5030
						50			EMT 5040
						60			EMT 5050



内径 Internal Diameter			外径 External Diameter			高度 Length	壁厚 Wall Thickness	油孔直径 Oil Hole-Φ H	型号 Part No
内径 d	装配轴径 Shaft-Φ d _s	装配后内径 Φ d _a	外径 D	装配座孔 Housing-Φ D _H	理论外径公差 O.D. Φ D _t	ID<80 L ± 0.25 ID>80 L ± 0.50	S		
55	55.000 54.954	55.210 55.030	60	60.030 60.000		40			EMT 5540
						50			EMT 5550
						60			EMT 5560
60	60.000 59.954	60.210 60.030	65	65.030 65.000		30			EMT 6030
						40			EMT 6040
						50			EMT 6050
						60			EMT 6060
65	65.000 59.954	65.210 65.030	70	70.030 70.000	+0.100 +0.055	40		8	EMT 6540
						50			EMT 6550
						60			EMT 6560
						70			EMT 6570
70	70.000 69.954	70.210 70.030	75	75.030 75.000		40			EMT 7040
						50			EMT 7050
						60			EMT 7060
						80			EMT 7080
75	75.000 74.954	75.210 75.030	80	80.030 80.000		40	2.460 2.400		EMT 7540
						50			EMT 7550
						60			EMT 7560
						80			EMT 7580
80	80.000 79.954	80.215 80.030	85	85.035 85.000		40			EMT 8040
						50			EMT 8050
						60			EMT 8060
						80			EMT 8080
85	85.000 84.946	85.215 85.030	90	90.035 90.000	+0.120 +0.070	60		9.5	EMT 8560
						80			EMT 8580
						50			EMT 9050
90	90.000 89.946	90.215 90.030	95	95.035 95.000		60			EMT 9060
						80			EMT 9080
						60			EMT 10060
100	100.000 99.946	100.215 100.030	105	105.035 105.000		70			EMT 10070
						80			EMT 10080
						50			EMT 12050
120	120.000 119.946	120.220 120.030	125	125.040 125.000	+0.170 +0.100	60			EMT 12060
						60			EMT 13560
135	135.000 134.937	135.220 135.030	140	140.040 140.000		80			EMT 13580