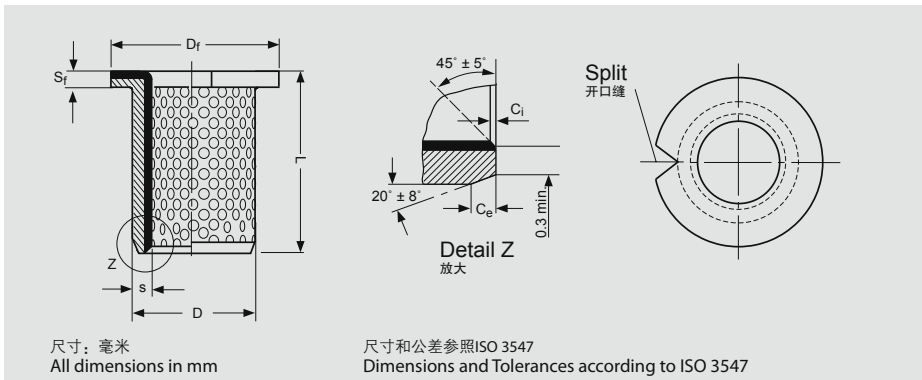




5.15 E90/E92 翻边规格及公差 E90/E92 Flange Bushing Specification & Tolerance



内外倒角尺寸表 Inside & Outside Chamfers

壁厚 Wall thickness S	内倒角 Inside Chamfer C _i	外倒角 Outside Chamfer C _e
1.00	0.30 ± 0.20	0.60 ± 0.40
1.50	0.40 ± 0.30	0.60 ± 0.40
2.00	0.40 ± 0.30	1.20 ± 0.40
2.50	0.60 ± 0.30	1.80 ± 0.60

翻边型号标注方式 Bushing Symbol

直套型号标注方式 Bushing Symbol	E9F - □	× ×	× ×
直套型号 Bushing Type			
直套内径 Bushing I. D.			
直套高度 Bushing Length			

内径 Internal Diameter			外径 External Diameter			法兰外径 Flang Φ D _f	高度 Length	型号 Part No
内径 d	装配轴径 Shaft-Φ d _s	装配后内孔尺寸 Φ d _i (H9)	外径 D	装配座孔 Housing-Φ D _H	理论外径公差 O.D. Φ D _t		ID<80 L ± 0.25 ID>80 L ± 0.50	
25	24.980 24.947	25.052 25.000	28	28.021 28.000	+0.075 +0.035	35	15	E90F/E92F 2515
							20	E90F/E92F 2520
							25	E90F/E92F 2525
30	29.980 29.947	30.052 30.000	34	34.021 34.000	+0.075 +0.035	45	20	E90F/E92F 3020
							25	E90F/E92F 3025
							20	E90F/E92F 3020
35	34.975 34.936	35.062 35.000	39	39.025 39.000	+0.075 +0.035	50	20	E90F/E92F 3520
							25	E90F/E92F 3525
							30	E90F/E92F 3530
							35	E90F/E92F 3535
40	39.975 39.936	40.062 40.000	44	44.025 44.000	+0.085 +0.045	55	25	E90F/E92F 4025
							30	E90F/E92F 4030
							35	E90F/E92F 4035
							40	E90F/E92F 4040
45	44.975 44.936	45.062 45.000	50	50.025 50.000	+0.085 +0.045	60	30	E90F/E92F 4530
							35	E90F/E92F 4535
							40	E90F/E92F 4540
							50	E90F/E92F 4550



内径 Internal Diameter			外径 External Diameter			法兰外径 Flang ΦD_f	高度 Length		型号 Part No
内径 d	装配轴径 Shaft- Φd_s	装配后内孔尺寸 $\Phi d_i(H9)$	外径 D	装配座孔 Housing- ΦD_H	理论外径公差 O.D. ΦD_t		ID<80 L \pm 0.25	ID>80 L \pm 0.50	
50	49.975 49.936	50.062 50.000	55	55.025 55.000	+0.085 +0.045	65	30	E90F/E92F 5030	
							35	E90F/E92F 5035	
							40	E90F/E92F 5040	
							50	E90F/E92F 5050	
55	54.970 54.924	55.074 55.000	60	60.030 60.000		70	30	E90F/E92F 5530	
							35	E90F/E92F 5535	
							40	E90F/E92F 5540	
							50	E90F/E92F 5550	
60	59.970 59.924	60.074 60.000	65	65.030 65.000		75	30	E90F/E92F 6030	
							35	E90F/E92F 6035	
							40	E90F/E92F 6040	
							50	E90F/E92F 6050	
							60	E90F/E92F 6060	
65	64.970 64.924	65.074 65.000	70	70.030 70.000		80	30	E90F/E92F 6530	
							35	E90F/E92F 6535	
							40	E90F/E92F 6540	
							50	E90F/E92F 6550	
							60	E90F/E92F 6560	
70	69.970 69.924	70.074 70.000	75	75.030 75.000	+0.100 +0.055	85	35	E90F/E92F 7035	
							40	E90F/E92F 7040	
							50	E90F/E92F 7050	
							60	E90F/E92F 7060	
							70	E90F/E92F 7070	
75	74.970 74.924	75.074 75.000	80	80.030 80.000		90	35	E90F/E92F 7535	
							40	E90F/E92F 7540	
							50	E90F/E92F 7550	
							60	E90F/E92F 7560	
							70	E90F/E92F 7570	
80	79.970 79.924	80.074 80.000	85	85.030 85.000		100	40	E90F/E92F 8040	
							50	E90F/E92F 8050	
							60	E90F/E92F 8060	
							70	E90F/E92F 8070	
							80	E90F/E92F 8080	
90	89.964 89.910	90.087 90.000	100	100.035 100.000	+0.120 +0.070	110	50	E90F/E92F 9050	
							60	E90F/E92F 9060	



内径 Internal Diameter			外径 External Diameter			法兰外径 Flang ΦD_f	高度 Length	型号 Part No
内径 d	装配轴径 Shaft- Φd_s	装配后内孔尺寸 $\Phi d_i(H9)$	外径 D	装配座孔 Housing- ΦD_H	理论外径公差 O.D. ΦD_t		ID<80 L \pm 0.25	
							ID>80 L \pm 0.50	
95	94.964 94.910	95.087 95.000	100	100.035 100.000		115	70	EAF 9070
							80	EAF 9080
							90	EAF 9090
100	99.964 99.910	100.087 100.000	105	105.035 105.000		120	50	EAF 10050
							60	EAF 10060
							70	EAF 10070
							80	EAF 10080
							90	EAF 10090
110	109.964 109.910	110.087 110.000	115	115.035 110.000	+0.120 +0.070	130	50	EAF 11050
							60	EAF 11060
							70	EAF 11070
							80	EAF 11080
120	119.964 119.910	120.087 120.000	125	125.035 125.000		140	90	EAF 11090
							60	EAF 12060
							70	EAF 12070
130	129.957 129.894	130.100 130.000	135	135.040 135.000		155	80	EAF 12080
							90	EAF 12090
							60	EAF 13060
140	139.957 139.894	140.100 140.000	145	145.040 145.000		165	70	EAF 13070
							80	EAF 13080
							90	EAF 13090
							60	EAF 14060
150	149.957 149.894	150.100 150.000	155	155.040 155.000	+0.170 +0.100	180	70	EAF 14070
							80	EAF 14080
							90	EAF 14090
							60	EAF 15060
							70	EAF 15070
160	159.957 159.894	160.100 160.000	165	165.040 165.000		190	80	EAF 15080
							90	EAF 15090
							60	EAF 16060
							70	EAF 16070
170	169.957 169.894	170.100 170.000	175	175.040 175.000		200	80	EAF 16080
							90	EAF 16090
							60	EAF 17060
							70	EAF 17070



内径 Internal Diameter			外径 External Diameter			法兰外径 Flang ΦD_f	高度 Length		型号 Part No
内径 d	装配轴径 Shaft- Φd_s	装配后内孔尺寸 $\Phi d_i(H9)$	外径 D	装配座孔 Housing- ΦD_H	理论外径公差 O.D. ΦD_t		ID<80 L ± 0.25		
							ID>80 L ± 0.50		
170	169.957 169.894	170.100 170.000	175	175.040 175.000	+0.170 +0.100	200	80	EAf 17080	
							90	EAf 17090	
180	179.957 179.894	180.100 180.000	185	185.040 185.000		215	60	EAf 18060	
							70	EAf 18070	
						215	80	EAf 18080	
							90	EAf 18090	
190	189.950 189.878	190.115 190.000	195	195.046 195.000		225	60	EAf 19060	
							70	EAf 19070	
							80	EAf 19080	
							90	EAf 19090	
200	199.950 199.878	200.115 200.000	205	205.046 205.000		+0.210 +0.130	235	60	EAf 20060
								70	EAf 20070
					80			EAf 20080	
					90			EAf 20090	
225	224.950 224.878	225.115 225.000	230	230.046 230.000	260		60	EAf 22560	
							70	EAf 22570	
							80	EAf 22580	
							90	EAf 22590	
250	249.950 249.878	250.115 250.000	255	255.046 255.000	290		60	EAf 25060	
							70	EAf 25070	
							80	EAf 25080	
							90	EAf 25090	
265	264.944 264.863	265.130 265.000	270	270.052 270.000	+0.260 +0.170	305	60	EAf 26560	
							70	EAf 26570	
							80	EAf 26580	
							90	EAf 26590	
285	284.944 284.863	285.130 285.000	290	290.052 290.000		325	60	EAf 28560	
							70	EAf 28570	
							80	EAf 28580	
							90	EAf 28590	
300	299.944 299.863	300.130 300.000	305	305.052 305.000		340	60	EAf 30060	
							70	EAf 30070	
							80	EAf 30080	
							90	EAf 30090	