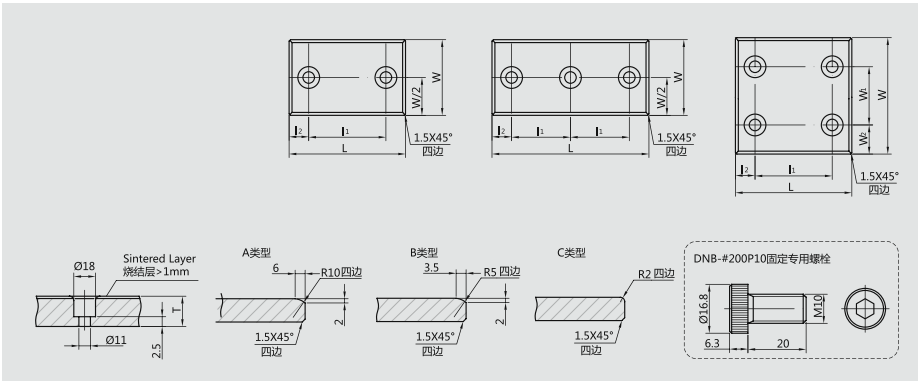




2.5 E-20P10滑板 E-20P10 Wear Plate (T : 10mm)



请从适用的厚度、宽度、长度中选择零件号（例）厚度 10mm、宽度 28mm、长度 75mm 的情况下

Ordering Code(example) **E-20P10-2875**

宽度 Width		长度 Length		厚度 Thickness		Mounting holes Pitch					Number of Screw holes	Chamfered shape	型号 Part No.	
W	Tol.	L	Tol.	T	Tol.	W1	Tol.	W2	L1	Tol.				L2
28	-0.1 -0.3	75	-0.1 -0.3	10	± 0.01	-	-	-	45	± 0.2	15	2	C	E-20P10-2875
28	"	100	"	10	"	-	-	-	50	"	25	"	"	E-20P10-28100
28	"	125	"	10	"	-	-	-	75	"	25	"	"	E-20P10-28125
28	"	150	"	10	"	-	-	-	100	"	25	"	"	E-20P10-28150
38	"	75	"	10	"	-	-	-	45	"	15	"	"	E-20P10-3875
38	"	100	"	10	"	-	-	-	50	"	25	"	"	E-20P10-38100
38	"	125	"	10	"	-	-	-	75	"	25	"	"	E-20P10-38125
38	"	150	"	10	"	-	-	-	100	"	25	"	"	E-20P10-38150
48	"	75	"	10	"	-	-	-	45	"	15	"	B	E-20P10-4875
48	"	100	"	10	"	-	-	-	50	"	25	"	"	E-20P10-48100
48	"	125	"	10	"	-	-	-	100	"	25	"	"	E-20P10-48125
48	"	150	"	10	"	-	-	-	100	"	25	"	"	E-20P10-48150
48	"	200	"	10	"	-	-	-	100	"	50	"	"	E-20P10-48200
48	"	250	"	10	"	-	-	-	45	"	25	3	"	E-20P10-48250
75	"	75	"	10	"	-	-	-	25	"	25	2	A	E-20P10-7575
75	"	100	"	10	"	-	-	-	50	"	25	"	"	E-20P10-75100
75	"	125	"	10	"	-	-	-	75	"	25	"	"	E-20P10-75125
75	"	150	"	10	"	-	-	-	100	"	25	"	"	E-20P10-75150
75	"	200	"	10	"	-	-	-	150	"	25	"	"	E-20P10-75200
75	"	250	"	10	"	-	-	-	100	"	25	3	"	E-20P10-75250
75	"	300	"	10	"	-	-	-	100	"	50	"	"	E-20P10-75300
100	"	100	"	10	"	50	± 0.2	25	50	"	25	4	"	E-20P10-100100
100	"	125	"	10	"	"	"	"	75	"	25	"	"	E-20P10-100125
100	"	150	"	10	"	"	"	"	100	"	25	"	"	E-20P10-100150
100	"	200	"	10	"	"	"	"	150	"	25	"	"	E-20P10-100200
100	"	250	"	10	"	"	"	"	200	"	25	"	"	E-20P10-100250
100	"	300	"	10	"	"	"	"	200	"	50	"	"	E-20P10-100300
125	"	125	"	10	"	"	"	37.5	75	"	25	"	"	E-20P10-125125
125	"	150	"	10	"	"	"	"	100	"	25	"	"	E-20P10-125150
125	"	200	"	10	"	"	"	"	150	"	25	"	"	E-20P10-125200
125	"	250	"	10	"	"	"	"	200	"	25	"	"	E-20P10-125250
125	"	300	"	10	"	"	"	"	200	"	50	"	"	E-20P10-125300
150	"	150	"	10	"	100	"	25	100	"	25	"	"	E-20P10-150150
150	"	200	"	10	"	"	"	"	150	"	25	"	"	E-20P10-150200
150	"	250	"	10	"	"	"	"	200	"	25	"	"	E-20P10-150250